

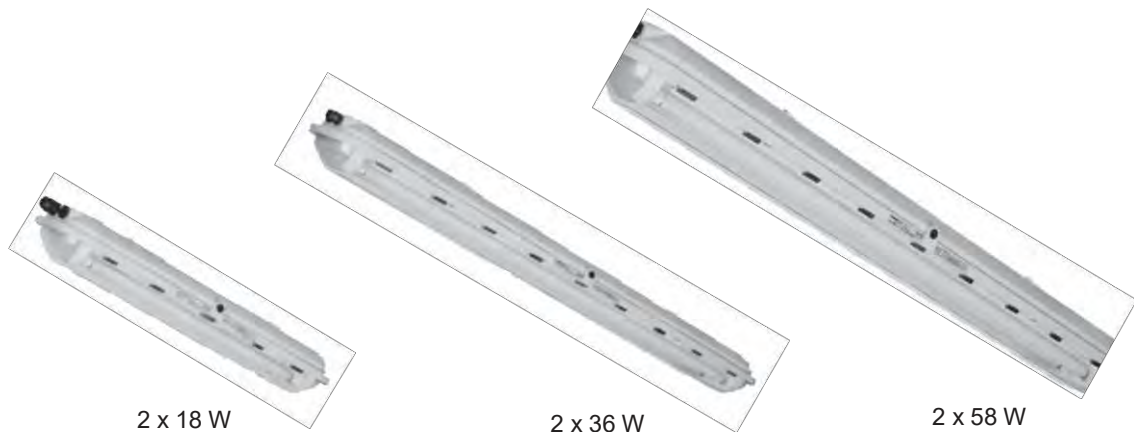
## Category: Lighting

<b>Fixtures</b> .....	<b>2</b>
FE Series Nonmetallic Fluorescent Luminaires.....	2
FELED Series Nonmetallic LED Luminaires .....	5
Victor Pathfinder VL114.....	8
<b>Floodlight</b> .....	<b>10</b>
Emerson Appleton Areamaster™ Zone 1 Series Luminaires .....	10
RLX CxZ1.21 .....	14
RLX DxZ1.21 and DxZ2.21.....	17
XTL 1c.....	20
XTL 1e.....	21
XTL 1i.....	22
XTL 2c.....	24
XTL 2e.....	25
XTL 4e.....	26
XTL 6.....	27
XTL 12.....	28
Wind Turbine Door Light.....	29
<b>Design Lamps</b> .....	<b>31</b>
Line .....	31
Twin Line .....	32
Luna Arc.....	33
<b>Flashlight</b> .....	<b>34</b>
Peli 2410 Stealthlite, Zone 0 .....	34
Peli L1 Zone 0 LED Torch.....	35
Pelican Mitylight 1900 Zone 1 .....	36
Peli headsup light 2690 Zone 0.....	37
CEAG Torch Stabex HF 2 Cell.....	38

## Fixtures



### FE Series Nonmetallic Fluorescent Luminaires



Standard and Emergency Battery Back-Up. Increased Safety ATEX/IECEX: Zone 1 and 2 - 21 and 22 II 2 GD IP66/67 – IK10

#### Applications

- Can be installed in hazardous areas designated as Zone 1, 2, 21 and 22.
- For use in locations where a high degree of corrosion resistance is required.
- For indoor/outdoor use where protection against dirt, water and moisture is necessary.
- Typical applications include oil refineries, petrochemical facilities, pulp and paper mills, food processing plants,
- warehouses, underground tunnels and general manufacturing facilities.

#### Features

Corrosion-resistant fiberglass reinforced polyester body and hinged polycarbonate lens.

- High impact resistance housing (20 Joules - IK10) from -40 °C to +55 °C (-40 °F to +131 °F) ambient temperature and wind profile for use in extreme offshore and onshore environments.
- Latch assembly and elastomer gasket seals against water and dust ingress, IP66/67.
- Easily accessed for maintenance using Allen key or straight blade screwdriver.
- Central opening with unique patented release system to prevent damage.
- Can be horizontally or vertically mounted.
- Hinged parabolic reflector for high lumen output efficiency.
- Vibration resistant spring loaded lampholders for bi-pin (G13) or mono-pin (Fa6) versions.
- Positive safety switch disconnects power to lamps and ballast to allow maintenance in hazardous locations.
- Electronic multi-tap ballast 110 to 254 Vac/Vdc +/- 10% 50/60 Hz, for global applications. High power factor electronic ballast (>0.95). EOL (End Of Life) protection in accordance to the latest EN/IEC 60079-7 standard.
- Two channel ballast prevents dark areas by allowing one lamp to remain lit if one fails.
- Ballast plug-in with Ex e connector for quick and error-free maintenance.
- Available in 3 hour or 90 minute emergency versions, including multi-tap ballast with built-in monthly self test. Test results through multi-colored LED.
- Ex e battery with plug-in connector.

**Standard Materials:**

- Fiberglass reinforced polyester housing
- Polycarbonate lens
- Elastomer gasket
- Highly reflective white polycarbonate internal reflector
- Mounting accessories available in different materials such as gray painted aluminium, zinc plated steel, galvanized steel or 316 stainless steel

**Options:**

- Silicone coating for added protection in H<sub>2</sub>S hydrogen sulfide environments.
- W/o safety switch.
- Level gauge light fitting.
- 316 stainless steel fixing inserts.

**ATEX/IECEX Certifications and Compliances**

- Certification Type: FLe
- Gas, Zones 1 and 2:
  - Conforming to ATEX 94/9/CE: CE 0081 II 2 G
  - ATEX/IEC Protection: Ex de IIC or Ex demb IIC (emergency version)
  - T Rating: T5 □ to T4
- Dust, Zone 21 and 22:
  - Conforming to ATEX 94/9/CE: CE 0081 II 2 D
  - ATEX/IEC Protection: Ex tD A21
  - Surface Temperature: +75 °C (+67 °F)
- Ambient Temperature: -40 °C to +55 °C (-40 °F to +131 °F)
- CE Declaration of Conformity: 50201
- ATEX Certificate: LCIE 07 ATEX 6017
- IECEx Certificate: LCIE Ex 04.0017
- Other Certifications: GOST
- Index of Protection (solid and liquid): IP66/67
- Impact Resistance (shock): IK10
- Ex Standards: EN/IEC 60079-0; 60079-1; 60079-7; 60079-18; 61241-0; 61241-1
- Product Standards: EN/IEC 60598-1; 60598-2-22
- EMC Standards: EN/IEC 55015; 61547
- Other Standards: EN/IEC 60529 (IP); 62262 (IK)

**Armored Version - Bi-pin (G13)**

Two M20 threaded entries w/ brass earth continuity plate at one end and one M20 threaded entry w/ brass earth continuity plate at opposite end, supplied w/ one M20 polyamide plug

Number of lamps	Power (W)	Lamp type	Voltage (V)	Weight Kg (LBS)	Volume dm <sup>3</sup> (IN <sup>3</sup> )	ATEX/IECEX	Ordering info
2	18	G13	110/254	5.5 (12.13)	32.3 (1971.07)	FEB218BUTA	8065861
2	36	G13	110/254	7.9 (17.42)	54.2 (3307.49)	FEB236BUTA	8059249
2	58	G13	110/254	9.0 (19.84)	65.0 (3966.54)	FEB258BUTA	on request

**Armored Version - Bi-pin (G13)**

Two M20 threaded entries w/ brass earth continuity plate at one end and one M20 threaded entry w/ brass earth continuity plate at opposite end, supplied w/ one M20 polyamide plug

Number of lamps	Power (W)	Lamp type	Voltage (V)	Weight Kg (LBS)	Volume dm3 (IN3)	Duration (Hours)	Battery Capacity	ATEX/IECEX	Ordering info
2	18	Bi-pin	110/254	7.3 (16.09)	32.3 (1971.07)	3 H	4Ah	FEB218BUTA E	8065862
2	36	Bi-pin	110/254	9.6 (21.16)	54.2 (3307.49)	3 H	7Ah	FEB236BUTA E	8059252
2	58	Bi-pin	110/254	10.7 (23.59)	65.0 (3966.54)	3 H	7Ah	FEB258BUTA E	on request

**Unarmored Version - Bi-pin (G13)**

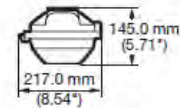
Three M25 inputs: two at one end and the third at the other end; product supplied with two M25 polyamide cable glands (dia. 8 to 18.5 mm) and an M25 polyamide plug.

Number of lamps	Power (W)	Lamp type	Voltage (V)	Weight Kg (LBS)	Volume dm3 (IN3)	Duration (Hours)	Battery Capacity	ATEX/IECEX	Ordering info
2	36	G13	110/254	9,6	54,2	3 H	4 Ah	FEB236BUTNE	8043548

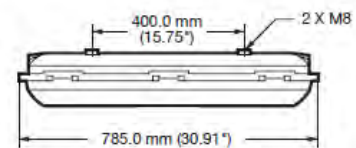
**A.T.X.**<sup>®</sup>

## FELED Series Nonmetallic LED Luminaires

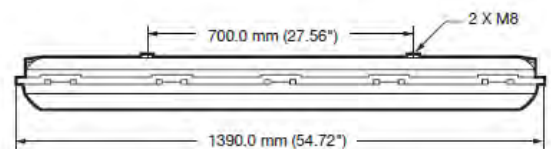
*Standard and Emergency Battery Back-Up, Increased Safety*



End View



Side View — 0.785 m (2.58 ft)



Side View — 1.39 m (4.56 ft) Version

### Applications

- For use in locations where:
  - Hazardous areas are designated as Zone 1 and 2 – 21 and 22
  - A high degree of corrosion resistance is required
  - Protection against dirt, water and moisture is necessary
- Typical applications include:
  - Oil refineries
  - Petrochemical facilities
  - Food processing plants
  - Waste and water treatment plants
  - Underground tunnels
  - General manufacturing facilities

### Features

- Available in 5000K or 4000K Color Temperatures.
- Meets photobiological requirement for Risk Group 0 (RG0).
- Easy to retrofit in same mounting footprint as Appleton's FE series nonmetallic fluorescent luminaires.
- Full range of lumen outputs, with light distribution equivalent to Appleton's FE series fluorescent luminaires.
- Corrosion-resistant fiberglass reinforced polyester body and hinged polycarbonate lens.
- High impact resistance housing (20 Joules – IK10) from -30 °C to +55 °C (-22 °F to +131 °F) ambient temperature and wind profile for use in extreme offshore and onshore environments.
- 60,000+ hour LED life for years of maintenance free operation.
- Lightweight design, hinged cover with captive screws, and terminal block wiring for easy installation and maintenance.
- Contemporary, low profile design suitable for tight spaces.
- Standard screw-type terminal block can accept 1.5 to 6 mm<sup>2</sup> wire.

- Field replaceable LED driver.
- Industry-leading thermal management for safe, reliable operation over wide temperature range.
- Universal, high efficiency, drivers cover voltage requirements for 120-277 Vac, 170-300 Vdc, 50/60 Hz +/- 10%.
- High power factor electronic driver (>0.95).
- Standard 6KV surge suppression.
- M20 plug or M25 plug provided.
- Latch assembly and elastomer gasket seals against water and dust ingress, IP66.
  
- Easily accessed for maintenance using Allen key or straight blade screwdriver.
- Central opening with unique patented release system to prevent damage.
- Can be horizontally or vertically mounted.
- Available in 3 hour emergency version, including built-in monthly self- test. Test results through multi-colored LED.
- Positive safety switch disconnects power to LED's and driver to allow maintenance in hazardous locations (emergency version).
- Ex e battery with plug-in connector.

### Options

- 3 Hours Emergency/Battery Back-Up available ;

— Add suffix -E to the end of the catalog number.

Example: FELED5CBDSADE

### Standard Materials

- Housing: fiberglass reinforced polyester
- Lens: polycarbonate
- Diffuser: polycarbonate
- Gasket: elastomer
- Internal reflector: highly reflective white polycarbonate (standard versions) or powder coated aluminum (emergency versions)
- Mounting accessories available in different materials such as gray painted aluminum, zinc plated steel, galvanized steel or 316 stainless steel

### ATEX/IECEx Certifications and Compliances

#### Certification Type: FELED30

- Gas: Zones 1 and 2
- Conforming to ATEX 2014/34/EU: II 2 G
- Type of Protection: Ex eb mb op is IIC Gb
- Temperature Class: T4
- Dust: Zones 21 and 22
- Conforming to ATEX 2014/34/EU: II 2 D
- Type of Protection: Ex op is tb IIIC Db
- Surface Temperature: +60 °C to +75 °C (+140 °F to +167 °F)
- Ambient Temperature: -30 °C up to +55 °C (-22 °F up to +131 °F)
- EU Declaration of Conformity: 50318
- ATEX Certificate: INERIS 18 ATEX 0042X
- IECEx Certificate: IECEx INE 18.0039X

#### Certification Type: FELED (emergency)

- Gas: Zones 1 and 2
- Conforming to ATEX 2014/34/EU: II 2 G
- Type of Protection: Ex db eb mb IIC Gb
- Temperature Class: T6
- Dust: Zones 21 and 22
- Conforming to ATEX 2014/34/EU: II 2 D

- Type of Protection: Ex tb IIIC Db
- Surface Temperature: +63 °C to +73 °C (+145 °F to +163 °F)
- Ambient Temperature: -20°C up to +50 °C (-4 °F up to 122 °F)
- EU Declaration of Conformity: 50317
- ATEX Certificate: LCIE 16 ATEX 3048X
- IECEx Certificate: IECEx LCIE 16.0038X

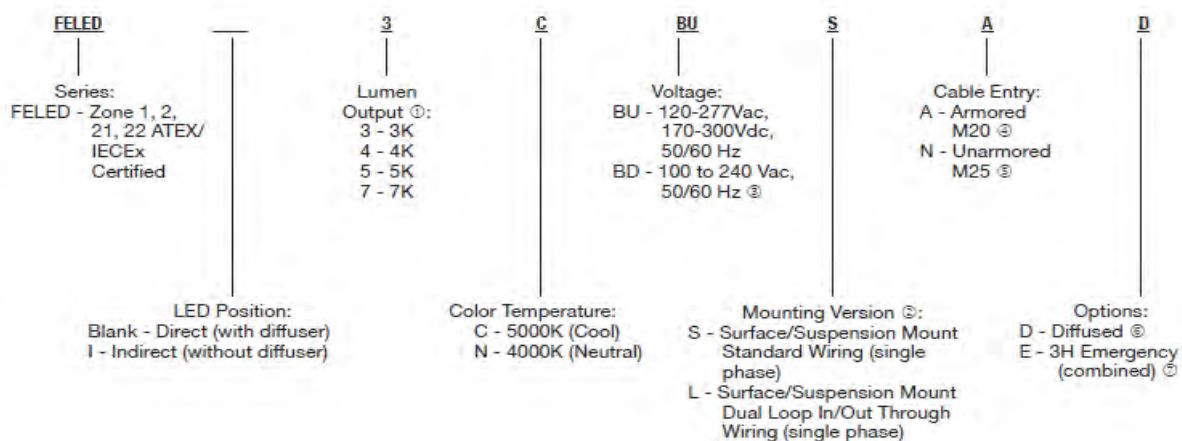
Standard and Emergency:

- Index of Protection according EN/IEC 60529: IP66
- Impact Resistance (shock): IK10
- Photobiological Safety, IEC 62778 and IEC 62471: RG0 at 0.25m mounting height

**Lumen Comparison Chart**

Line Current Amps	Input Power	Power Factor	Lumen Output (Lumens)	Efficacy (lm/w)	Correlated Color Temperature (CCT)	Color Rendering Index (CRI)	Length	Weight	Catalog Number	Ordering info
0.140A at 230Vac	31	> 0.96	3,058	99	5000K	70+	0.785 m (2.58 ft)	4.5 kg (9.9 lbs)	FELED3CBUxxD	on request
			1,886	61					FELEDI3CBUxx	on request
			2,512	81	FELED3NBULAD	8094401				
			1,616	52	FELED3NBDLADE	8094402				
0.195A at 230Vac	44	> 0.96	4,196	95	5000K	70+			FELED4CBUxxD	on request
			2,617	59					FELEDI4CBUxx	on request
			3,428	78	FELED4NBULAD	8094403				
			2,111	48	FELED4NBDLADE	8094404				
0.224A at 230Vac	50	>0.98	5,290	106	5000K	70+	1.39 m (4.56 ft)	8.5 kg (18.74 lbs)	FELED5CBUxxD	on request
			3,260	65					FELEDI5CBUxx	on request
			4,380	88	FELED5NBULAD	8093857				
			2,613	52	FELED5NBDLADE	8093858				
0.333A at 230Vac	75	>0.97	7,181	96	5000K	70+			FELED7CBUxxD	on request
			4,200	56					FELEDI7CBUxx	on request
			5,879	78	FELED7NBULAD	8094405				
			3,458	46	FELED7NBDLADE	8094406				

**Ordering guide**



① All values displayed reflect typical values.  
 ② Standard and Loop In/Out cable entries provide 3 entries; 1 at one and 2 at the other end of the housing.  
 ③ BD voltage for emergency model only  
 ④ Must order armored cable glands separately. M20 entries are with brass earth continuity plate for armored cable.  
 ⑤ Cable glands provided in luminaires with unarmored hub entries.  
 ⑥ Diffuser required for direct, not included with indirect.  
 ⑦ Available for 5K lumen model only.





## Victor Pathfinder VL114



Floodlight for use in explosive atmosphere, gas zones 1 and 2. Dust environments, zone 21 and 22.


### Applications

- Onshore/offshore oil and gas industry
- Security and perimeter lighting
- Tank farms
- Arduous industrial environments

### Product characteristics

- Excellent photometric properties, wide or narrow beam
- Integral control gear
- Captive front cover bolts
- Hinged cover
- Ex 'e' terminal chamber as standard
- Twin arc tube lamps

### Certification and approval

ATEX Certificate SIRA 03ATEX3556 T100°C  
 II 2GD Ex em

Ingress protection to IP66 and IP67  
 IP68 on application



**Technical Specification**

**Lamp type**

11W and 18W compact fluorescent lamps are factory fitted

**Power supply:**

VL114S 220-254V, 50/60Hz only 1x11W  
 VL114S 110-254V, 50/60Hz only 2x18W  
 VL114E 220-254V, 50/60Hz only 1x11W

**Emergency operation**

11W non-maintained emergency light output is 11%. Duration is typically 3 hours.)

**Terminals**

3 core up to 4 mm<sup>2</sup> conductors with looping

**Cable entries**

2 x 20 mm clearance holes supplied with 1 x transit plug and 1 x Ex blanking plug.

**Material:**

Enclosure: Polycarbonate moulding  
 Gasket: Silicone  
 External fasteners

**Weight:**

VL114E 2.5 kg  
 VL114S 1.8 K

**Temperature**

Gas environments: T3, T4, T5, T5, & T6 dependent on gas and ambient temperature.  
 Dust environments: T100 °C

**Ambient temperature**

VL114E - 15 to + 60 °C  
 VL114S - 45 to + 60 °C

**Power factor**

Better than 0.95

**Battery:**

5 cell - 4Ah, 6v internal Ni-Cad

Std. cat. Ref	Wattage	Lamp type	Ordering info
PATE/218/CF	2x18W	Compact fluorescent	8004142
PATE/111/CF/EM*	1x11W	Compact fluorescent	8004143

**Options – Suffix to catalogue ref.**

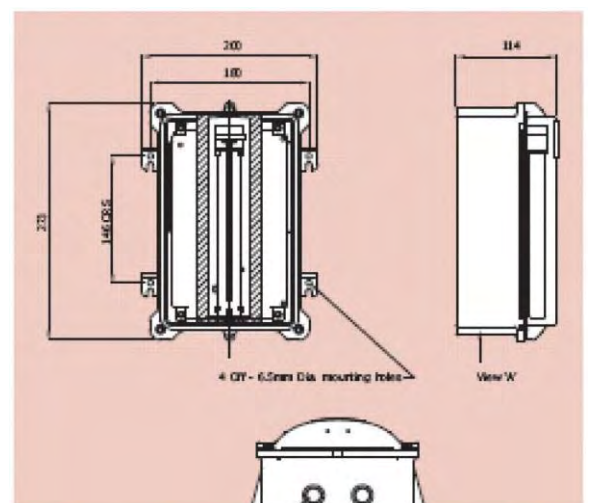
- /120 Specific voltage 110/130V (for VL114 Enon maintained only)
- /25 M25 Entries
- /MEM Maintained emergency (220/254V only)
- /M20 M20 Threaded entry pad c/w earth lead to T/block
- /M25 M25 Threaded entry pad c/w earth lead to T/block

**Accessories**

- Lamp assembly (11Watt)
- Lamp assembly (18Watt)
- Exit sign chain hanging (no direction)
- Exit sign chain hanging (Up arrow)
- Exit sign chain hanging (Down arrow)
- Exit sign chain hanging (Right arrow)
- Exit sign chain hanging (Left arrow)
- Exit sign chain hanging (Double sided arrow left & right)
- Exit sign adhesive (Up, down, left and right)

**Part code**

- SPATE-00004
- SPATE-00001
- SPATE-00005
- SPATE-00006
- SPATE-00007
- SPATE-00008
- SPATE-00009
- SPATE-00011
- SPATE-00012



## Floodlight



### Emerson Appleton Areamaster™ Zone 1 Series Luminaires

*Areamaster™ generation 2 and high lumen led zone 1 series luminaires floodlight hazardous location*



**AMLZ + Clear Lens**



**AMHZ + Frosted Lens**

#### Applications

For use in locations where:

- Hazardous areas designated as: Zone 1, 2, 21 and 22
- A high degree of corrosion resistance is required
- Protection against gas, dust, water and moisture is necessary

A wide range of harsh and hazardous areas where flammable gases and vapors are present, for example:

- Oil and Gas Refineries
- Petrochemical Plants
- Foundries
- Drilling Rigs
- Pulp and Paper Mills
- Food and Beverage Processing Facilities
- Loading Docks
- Power Plants
- Water and Wastewater Treatment Facilities
- Hydrogen and Biofuels plants
- LNG (Liquid Natural Gas) plants
- Other areas where corrosive, wet, dirty and tough environments are a problem
- IP66/67; marine and wet locations
- Extreme hot/cold temperature environments: -40 °C to +55/65 °C (-40 °F to +131/149 °F)

### Features

- Six lumen outputs provide up to 38,000 lumens.
- Separate field wiring compartment with screw terminal block for easy and secure connection (can accept UL/CSA 26-10 AWG, 4 to 6 mm<sup>2</sup>).
- Yoke bracket is designed to accommodate traditional Areamaster brackets and slipfitters for easy retrofit.
- Choice of color temperature (CCT): 5000K (70 CRI) cool white, 4000K (80 CRI) neutral white, or 3000K (80 CRI) warm white.
- Rugged and compact housing with superior thermal design translates to long luminaire life.
- Heavy duty, high temperature silicone rubber gaskets.
- Thermal shock and impact resistant clear or frosted glass lens.
- Standard 6 kV surge protection.
- Captive fasteners secure on piece lens.
- Field replaceable LED driver and lens cover.
- Photobiological safety rating: Risk Group Zero (RG0) with frosted glass; Risk Group One (RG1) with clear glass

### Ordering Information

Manufacturer's part number	Description	Part number
AMLZL6NG6BUM	Emerson Appleton LED Floodlight AMLZ 4000K 9500 lumen 65W 120-277 VAC 50/60Hz M20 entry	8117665
AMLZL7NG6BUM	Emerson Appleton LED Floodlight AMLZ 4000K 15000 lumen 105W 120-277 VAC 50/60Hz M20 entry	On request
AMLZL8NG6BUM	Emerson Appleton LED Floodlight AMLZ 4000K 19500 lumen 140W 120-277 VAC 50/60Hz M20 entry	8117666
AMHZL1NG6BUM	Emerson Appleton LED Floodlight AMLZ 4000K 24000 lumen 165W 120-277 VAC 50/60Hz M20 entry	On request
AMHZL2NG6BUM	Emerson Appleton LED Floodlight AMLZ 4000K 30000 lumen 205W 120-277 VAC 50/60Hz M20 entry	On request
AMHZL3NG6BUM	Emerson Appleton LED Floodlight AMHZ 4000K 38000 lumen 275W 120-277 VAC 50/60Hz M20 entry	8117667

### Luminaire materials

- Housing and lens door: copperfree aluminum (4/10 of 1% maximum)
- Gaskets: silicone rubber
- Yoke: zinc plated HR steel
- Bolts: stainless steel
- Close up plugs: (1) aluminum provided
- Guard and safety cable: stainless steel
- Visor: aluminum
- Housing, lens cover, visor and yoke mount: architectural bronze polyester.

### Accessories (Purchase Separately)

- Wall Mount Bracket: GPSWB6GAL
- Wire Guard — Low Lumen: LGGUARD
- Wire Guard — High Lumen: LHGUARD
- Safety cable: LEDSC
- Visor — Low Lumen: AMLGV
- Visor — High Lumen: AMLHV
- Portable Floodlight Base: GAMPFB

**Warranty**

5-year standard warranty. 10-year limited warranty for select part number configurations.

**NEC/CEC listings**

Class I, Zone 1 AEx/Ex eb mb Group IIC Gb | Class I, Zone 21 AEx/Ex tb Group IIC Db

**IECEX / ATEX listings**

1, 2, 21, 22 | Ex eb mb op is IIC | II 2 GD | IP66/67 | IK08

**Related products**

Areamaster™ Generation 2 and High Lumen LED Series Luminaires

**Product specifications**

Series Lumen Output	AMLZ*L6	AMLZ*L7	AMLZ*L8	AMHZ*L1	AMHZ*L2	AMHZ*L3
Input Power (W, @120 V)	65	105	140	165	205	275
Equivalencies (W, HID)	175-250	250-400	400-750	1000	1000-1500	1500
Nominal Lumens*	9500	15000	19500	24000	30000	38000
Efficacy (up to, lm/W)*	139	134	126	115	110	104
Color Temperature (CCT) (K)	5000/4000/3000					
Color Rendering Index (CRI)	≥ 70 CRI (5000K)   ≥ 80 CRI (4000K / 3000K)					
Voltage	120-277 Vac, 50/60 Hz, 170-300 Vdc					
Surge Protection	Standard: 6 kV					
L70 Lifetime (hrs, reported)	> 60,000 hours @ +65 °C (+149 °F)					
Ambient Temperature**	Standard: -40 °C to +65 °C (-40 °F to +149 °F)					
Temperature Code**	T3 - T6					
Fixture Weight - kg (lbs)	9.8 (21.6)			16.5 (36.5)		
Replaceable Parts	Drivers, Globes					

\*= Nominal lumens based on Type 7x7 optics, 5000K CCT with clear glass lens. Refer to catalog pages for detailed performance.

\*\*= Refer to catalog pages for detailed temperature tables/operating temperature based on lumen output/certification.

### Catalog Numbering Guide

#### CATALOG NUMBERING GUIDE | LOW LUMEN MODEL

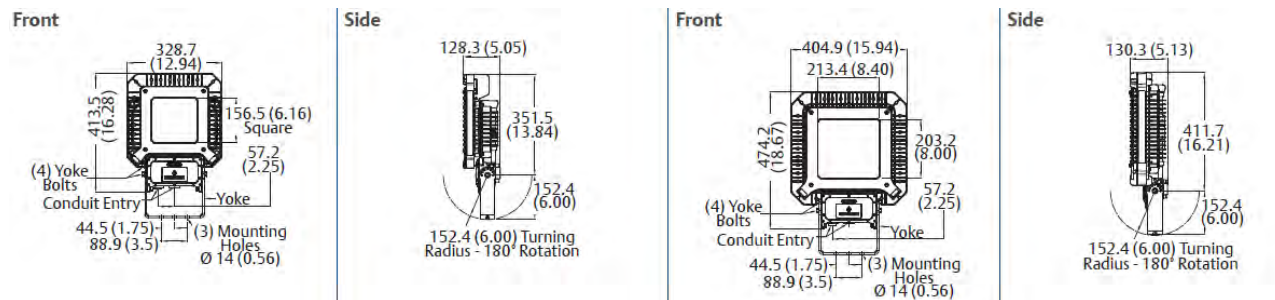
Series Prefix	Lumen (nominal)	Color Temperature	Diffusion:	Beam Spread	Voltage	Options
AMLZ				6	BU	
<b>SERIES PREFIX:</b> AMLZ Areamaster Generation 2 Zone 1 LED Series Luminaire - Low Lumen		<b>COLOR TEMPERATURE (CCT):</b> C Cool, 5000K N Neutral, 4000K W Warm, 3000K		<b>BEAM SPREAD:</b> 6 7x7 <b>VOLTAGE:</b> BU 120-277 Vac, 50/60 Hz, 170-300 Vdc		<b>OPTIONS:</b> M M20 Metric Blank 3/4" NPT
<b>LUMEN (NOMINAL):</b> ① L6 9K L7 15K L8 19K		<b>DIFFUSION:</b> G Clear Glass F Frosted Glass				

#### CATALOG NUMBERING GUIDE | HIGH LUMEN MODEL

Series Prefix	Lumen (nominal)	Color Temperature	Diffusion:	Beam Spread	Voltage	Options
AMHZ				6	BU	
<b>SERIES PREFIX:</b> AMHZ Areamaster Generation 2 Zone 1 LED Series Luminaire - High Lumen		<b>COLOR TEMPERATURE (CCT):</b> ‡ C Cool, 5000K N Neutral, 4000K W Warm, 3000K		<b>BEAM SPREAD:</b> 6 7x7 <b>VOLTAGE:</b> BU 120-277 Vac, 50/60 Hz, 170-300 Vdc		<b>OPTIONS:</b> M M20 Metric Blank 3/4" NPT
<b>LUMEN (NOMINAL):</b> ① L1 24K L2 30K L3 38K		<b>DIFFUSION:</b> G Clear Glass F Frosted Glass				

① All lumen values are typical (tolerance +/- 10%).

### Dimensional drawings - Millimeters (Inches)





## RLX CxZ1.21



RLX CxZ1.21 is crafted to be appreciated from installation to end user, and is a compact LED floodlight for hazardous areas, both ATEX and IECEx zone 1, 2, 21 and 22. Light weight, simple termination and no flame path to maintain.

It is made to last from the inside out and demands no attention.

Both the encapsulated electronics and durable mechanics maximizes the potential of the LED technology for demanding applications. The RLX™ CxZ1.21 will endure very corrosive environments as well as shocks and continual vibrations. It also lives up to strict EMC/EMI standards.


By utilizing the various light-beam options, the RLX™ CxZ1.21 is the ideal floodlight to improve the total light solution.

- ATEX and IECEx approved. Zone 1, 2, 21 and 22
- Very low weight, under 10 kg
- No specific conditions for use or installation. "X-FREE"
- Wide operating temperatures -55° C to +55° C
- Temperature classes T6/T5/T4/T3
- Extreme lifetime up to 180 000 hrs\* (70% light output remaining)
- Light efficiency up to 80% savings from conventional
- No flame path, no maintenance
- MIL-STD-461, remarkable EMC/EMI characteristics
- Available for hazardous areas
- Crafted for demanding marine and offshore conditions

### Electrical specifications

	40 W	80 W	120 W	160 W
Input voltage range	100 - 277 VAC, 100 - 300 VDC			
Frequency range	50 - 60 Hz			
Power factor @ 230 VAC	Cos $\phi$ < 0.9			
Current @ 230 VAC	0,17 A	0,35 A	0,52 A	0,7 A
Leakage current	0,5 mA RMS @ 230 VAC 50 Hz			
Recommended fuse	MCB16 type C for up to 10 floodlights connected in parallel			
Inrush current	50A (duration of 600 $\mu$ s measured @ 50% I-peak) at 230VAC			
Dim control interface	(10-100%) 0 - 100 k $\Omega$ , 4 - 20 mA or 0 - 10 VDC			
Terminal dimensions	Mains: 0,2 - 6 mm <sup>2</sup> , Grounds: 0,2 - 16 mm <sup>2</sup> , Dim and batteries: 0,08 - 2,5 mm <sup>2</sup> – spring terminals with looping (sketch available under "Dimensions")			

### Light specifications

	40 W	80 W	120 W	160 W
Initial luminous flux	6.589	11.290	15.342	19.021
Lumen per watt	165	141	128	119
100% light output	Ta < 55°C		Ta < 45°C	
Color rendering index (CRI)	> 70			
Color temperature	5000K ( 3.000 K on request)			
				
Beam angles (degrees)	Spot 15°, Medium 40°, Medium 60°, Medium 60° x 40°, Wide 80° x 60°, Oval 45°x15°, See illustration on page 6 for more information. Photometric files available on request.			

**Ex and Environmental**

	40 W	80 W	120 W	160 W
Ambient temperature (Ta)	- 55°C to + 55°C			
Storage temperature	- 55°C to + 80°C			
Markings	Zone 1, 2, 21, 22			
ATEX classification	CE 2804 Ex II 2G II 2D			
IEC classification gas	Ex eb mb IIC T6 Gb	Ex eb mb IIC T4, T5** Gb	Ex eb mb IIC T4 Gb	Ex eb mb IIC T3, T4* Gb
IEC classification dust	Ex tb IIIC T85 Db	Ex tb IIIC T135, T100** Db	Ex tb IIIC T135 Db	Ex tb IIIC T200, T135* Db
Classification with alternative ambient temperature	*T4, T135 @Ta <40°C **T5, T100 @TA <50°C			

**General Specifications**

	40 W	80 W	120 W	160 W
Startup time	1 second			
Weight	9,7 kg (approx.)			
Cable glands	2xM25 10-18mm Through Gland 2xM20 Blind Cap Other glands and blind caps on request.			
IP class	IP 66/67			
Predicted lifetime L70 (70% light output) Ta 25°C	>320k hours	>320k hours	>320k hours	175k hours
Predicted lifetime L70 (70% light output) Ta 45°C	>180k hours	>120k hours	>100k hours	80k hours
Corrosion class	C5 m ISO 9223/12944 (for offshore and maritime environments)			

**Materials**

Body / casing / chassis	Seawater resistant; casted, anodized and powder coated aluminum
Glass	Tempered glass
Bracket, bolts, nuts etc.	Stainless steel AISI 316L (1.4404), A4



**Approvals and Declaration**

Low Voltage Directive (LVD) 014/35/EU	EN 62031:2008/A1:2013/A2:2015 – LED Modules for general lighting
Photobiological safety	EN 62471:2008 – Photobiological safety of lamps and lamp systems
EMC and immunity	EN 55015:2013 – Radiated and conducted emissions EN 60945:2002 – Marine Equipment. EMC Immunity, Radiated and Conducted Emissions MIL-STD461F CE101, CE102 and RE102 - Navy Top Deck MIL-STD461F CE101, CE102 and RE102 - Navy Mobile & Army
Explosion proof standards	IEC/EN 60079-0:2018 – Equipment General Requirements IEC/EN 60079-7:2015+A1:2018 – Equipment protection by increased safety “e” IEC/EN 60079-18:2015+A1:2017 – Equipment protection by type of protection “m” IEC/EN 60079-31:2014 – Equipment dust ignition protection by enclosure “t”

**Ordering Information**

Description	Part number
RLX CxZ1.21, 40W	8095646
RLX CxZ1.21, 80W	8095647
RLX CxZ1.21, 120W	8095648
RLX CxZ1.21, 160W	8095649



## RLX DxZ1.21 and DxZ2.21



RLX™ DxZ1.21 and DxZ2 are a very powerful Ex Zone 1 and Ex Zone 2 respectively certified LED flood light for tankers, oil rigs and other hazardous areas. It is crafted to be appreciated from installation to end user, both ATEX and IECEx zone 1, 2, 21 and 22.

The lamps are lightweight with simple termination, and no flame path to maintain.

Both the encapsulated electronics and durable mechanics maximizes the potential of the LED technology for demanding applications. The RLX™ Dx endure very corrosive environments as well as shocks and continual vibrations. It also lives up to strict EMC/EMI standards.

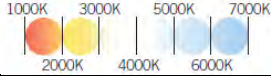
By utilizing the various light-beam options, the RLX™ DxZ1.21 is the ideal floodlight to improve the total light solution.

- ATEX and IECEx approved. Zone 1, 2, 21 and 22
- Low weight, 15 kg
- No specific conditions for use or installation. "X-FREE"
- Wide operating temperatures -55° C to +55° C
- Temperature classes T6/T5/T4
- Extreme lifetime up to 180 000 hrs\* (70% light output remaining)
- Light efficiency up to 80% savings from conventional
- No flame path, no maintenance
- MIL-STD-461, remarkable EMC/EMI characteristics
- Crafted for demanding marine and offshore conditions

### Electrical specifications

	RLX DxZ1.21			RLX DxZ2.21
	80 W	160 W	240 W	240 W
Input voltage range	100 - 277 VAC, 100 - 300 VDC			
Frequency range	50 - 60 Hz			
Power factor @ 230 VAC	Cos $\phi$ < 0.98			
Current @ 230 VAC	0,35 A	0,7 A	1,04 A	1,04 A
Leakage current	0,5 mA RMS @ 230 VAC 50 Hz			
Recommended fuse	MCB16 type C for up to 10 floodlights connected in parallel			
Inrush current	200A (duration of 150 $\mu$ s measured @ 50% I-peak) at 230VAC			
Dim control interface	(0-100%) 0 - 100 k $\Omega$ , 4 - 20 mA or 0 - 10 VDC			
Terminal dimensions	Mains: 0,2 - 6 mm <sup>2</sup> , Grounds: 0,2 - 16 mm <sup>2</sup> , Dim and batteries: 0,08 - 2,5 mm <sup>2</sup> – spring terminals with looping (sketch available under "Dimensions")			

## Light specifications

	RLX DxZ1.21			RLX DxZ2.21
	80 W	160 W	240 W	240 W
Initial luminous flux	13.178	22.580	30.684	30.684
Lumen per watt	165	141	128	119
100% light output	Ta < 55°C		Ta < 45°C	
Color rendering index (CRI)	> 70			
Color temperature	5000K (● 3.000 K on request)			
				
Beam angles (degrees)	Spot 15°, Medium 40°, Medium 60°, Medium 60° x 40°, Wide 80° x 60°, Oval 45°x15°, See illustration on page 6 for more information. Photometric files available on request.			

## Ex and Environmental

	RLX DxZ1.21			RLX DxZ2.21
	80 W	160 W	240 W	240 W
Ambient temperature (Ta)	- 55°C to + 55°C			
Storage temperature	- 55°C to + 80°C			
Markings	Zone 1, 2, 21, 22			Zone 2, 21, 22
ATEX classification	CE 2804 Ex II 2G II 2D			
IEC classification gas	Ex eb mb IIC T6 Gb	Ex eb mb IIC T5 Gb	Ex eb mb IIC T4 Gb	Ex ec mc IIC T4 Gc
IEC classification dust	Ex tb IIIC T85 Db	Ex tb IIIC T100 Db	Ex tb IIIC T135 Db	Ex tb IIIC T135 Db
Classification with alternative ambient temperature	N/A			

## General Specifications

	RLX DxZ1.21			RLX DxZ2.21
	80 W	160 W	240W	240 W
Startup time	1 second			
Weight	15,2 kg			14,8 kg
Cable glands	2xM25 10-18mm Through Gland 2xM20 Blind Cap Other glands and blind caps on request.			
IP class	IP 66/67			
Predicted lifetime L70 (70% light output) Ta 25°C	>320k hours	>320k hours	>320k hours	>320k hours
Predicted lifetime L70 (70% light output) Ta 45°C	>180k hours	>120k hours	>100k hours	>100k hours
Corrosion class	C5 m ISO 9223/12944 (for offshore and maritime environments)			

## Materials

Body / casing / chassis	Seawater resistant; casted, anodized and powder coated aluminum
Glass	Tempered glass
Bracket, bolts, nuts etc.	Stainless steel AISI 316L (1.4404), A4

**Approvals and Declaration**

Low Voltage Directive (LVD) 014/35/EU	EN 62031:2008/A1:2013/A2:2015 – LED Modules for general lighting
Photobiological safety	EN 62471:2008 – Photobiological safety of lamps and lamp systems
EMC and immunity	EN 55015:2013 – Radiated and conducted emissions EN 60945:2002 – Marine Equipment. EMC Immunity, Radiated and Conducted Emissions MIL-STD461F CE101, CE102 and RE102 - Navy Top Deck MIL-STD461F CE101, CE102 and RE102 - Navy Mobile & Army
Explosion proof standards	IEC/EN 60079-0:2018 – Equipment General Requirements IEC/EN 60079-7:2015+A1:2018 – Equipment protection by increased safety “e” IEC/EN 60079-18:2015+A1:2017 – Equipment protection by type of protection “m” IEC/EN 60079-31:2014 – Equipment dust ignition protection by enclosure “t”

**Ordering Information**

Description	Part number
RLX DxZ1.21, 80W	8095650
RLX DxZ1.21, 160W	8095651
RLX DxZ1.21, 240W	8095652
RLX DxZ2.21, 240W	8095653

**LYNGSAA®**

**XTL 1c**



BACK VIEW



SIDE VIEW



BRACKET

The XTL 1 c is designed with the use of advanced 3D design tools and developed with state of the art LED and driver technology, which together with a rugged housing in marine grade anodized aluminium, ensures a long lasting product.

Equipped with high efficacy LEDs, enabling maximum light output with minimum heat generation, with an energy consumption reduction of 80%, compared with traditional halogen light sources, the LYNGSAA luminaires enable a very short return on investment.

The XTL 1 c can be implemented in all sorts of environments and industries, such as marine & offshore -, road -, agricultural -, harbor - and building sites, to mention a few.

**Technical Specifications**

- Wattage: 11W
  - Voltage: 24 Volt DC
  - Beam angle: 180° (Diffused)
  - Dimensions: 120 x 100 x 40 mm
  - IP rating: IP67
  - Warranty: 5 years
  - Temp. range: - 35 °C → +50 °C
  - Weight: 0,85 kg
- (Also available for 100-277 Volt AC 50/60 Hz)

**Light specifications: KELVIN(K)/CRI, LUMEN(L)**

	70 CRI	Ordering info	80 CRI	Ordering info	90 CRI	Ordering info	High CRI	Ordering info
<b>2700K</b>	NA	on request	1270L	on request	1060L	on request	930L (97)	on request
<b>3000K</b>	NA	on request	1340L	on request	1100L	on request	1000L (97)	on request
<b>3500K</b>	NA	on request	1370L	on request	1140L	on request	1100 (93)	on request
<b>4000K</b>	NA	on request	1380L	on request	1180L*	<b>8075075</b>	1185 (93)	on request
<b>5000K</b>	1510L	on request	1420L	on request	1210L	on request	NA	on request

\* Standard model

Technical specifications are calculated on data available from component manufacturers. Lumen/CRI/Kelvin are calculated before optical transmission.

**LYNGSAA®**

**XTL 1e**



BACK VIEW



SIDE VIEW



BRACKET

The XTL 1 e is designed with the use of advanced 3D design tools and developed with state of the art LED and driver technology, which together with a rugged housing in marine grade anodized aluminum, ensures a long lasting product.

Equipped with high efficacy LEDs, enabling maximum light output with minimum heat generation, with an energy consumption reduction of 80%, compared with traditional halogen light sources, the LYNGSAA luminaires enable a very short return on investment.

The XTL 1 e can be implemented in all sorts of environments and industries, such as marine & offshore -, road -, agricultural -, harbor - and building sites, to mention a few.

**Technical Specifications**

- Wattage: 11W
- Voltage: 24 Volt DC
- Beam angle: 60°/100°
- Dimensions: 100 x 120 x 40 mm
- IP rating: IP67
- Warranty: 5 years
- Temp. range: - 35 °C → +50 °C
- Weight: 0,9 kg

(Also available for 100-277 Volt AC 50/60 Hz)

**Light specifications: KELVIN(K)/CRI, LUMEN(L)**

	70 CRI	Ordering info	80 CRI	Ordering info	90 CRI	Ordering info	High CRI	Ordering info
<b>2700K</b>	NA	on request	1270L	on request	1060L	on request	930L (97)	on request
<b>3000K</b>	NA	on request	1340L	on request	1100L	on request	1000L (97)	on request
<b>3500K</b>	NA	on request	1370L	on request	1140L	on request	1100 (93)	on request
<b>4000K</b>	NA	on request	1380L	on request	1180L*	<b>8074321</b>	1185 (93)	on request
<b>5000K</b>	1510L	on request	1420L	on request	1210L	on request	NA	on request

\* Standard model

Technical specifications are calculated on data available from component manufacturers. Lumen/CRI/Kelvin are calculated before optical transmission.

**LYNGSAA®**
**XTL 1i**


Designed with the latest LED and driver technology, enclosed in a rugged marine grade anodized aluminum housing, and fitted with a AISI 316 stainless steel bracket.

Equipped with high efficacy LEDs, enabling maximum light output with minimum heat generation, this make it possible to create a durable, stylish, minimalistic design, ensuring a long lasting product.

With an energy consumption reduction of 80%, compared with traditional halogen luminaires, the Lyngsaa luminaires have a very short return on investment.

The luminaire can be implemented in all sorts of environments and industries, such as marine & offshore -, road -, agriculture -, architectural -and building sites, to mention a few.

The luminaire is also available with color filters in selected colors, for colored light. Custom light color are available on request.

### Technical Specifications

Wattage:	11W
Voltage:	100-240 VAC
Beam angle:	60°/100°/180°(Diffused)
Dimensions:	100 x 120 x 100 mm
IP rating:	IP67
Warranty:	5 years
Temp. range:	- 35 °C → +50 °C
Weight:	1,7 kg
Gland:	M16 x 1.5, (x2)
Cabling:	Cable not included
Optional:	Other gland sizes and cabling can be included as per request

Also available for 10-35VDC



**Light specifications: KELVIN(K)/CRI, LUMEN(L)**

	70 CRI	Ordering info	80 CRI	Ordering info	90 CRI	Ordering info	High CRI	Ordering info
<b>2700K</b>	NA	on request	1270L	on request	1060L	on request	930L (97)	on request
<b>3000K</b>	NA	on request	1340L	on request	1100L	on request	1000L (97)	on request
<b>3500K</b>	NA	on request	1370L	on request	1140L	on request	1100 (93)	on request
<b>4000K</b>	NA	on request	1380L	on request	1180L*	<b>8062166</b>	1185 (93)	on request
<b>5000K</b>	1510L	on request	1420L	on request	1210L	on request	NA	on request

\* Standard model

Technical specifications are calculated on data available from component manufacturers. Lumen/CRI/Kelvin are calculated before optical transmission.

**LYNGSAA®**

**XTL 2c**



The XTL 2 c is designed with the use of advanced 3D design tools and developed with state of the art LED and driver technology, which together with a rugged housing in marine grade anodized aluminum, ensures a long lasting product.

Equipped with high efficacy LEDs, enabling maximum light output with minimum heat generation, with an energy consumption reduction of 80%, compared with traditional halogen light sources, the LYNGSAA luminaires enable a very short return on investment.

**Technical Specifications**

- Wattage: 22W
- Voltage: 24 Volt DC
- Beam angle: 180° (Diffused)
- Dimensions: 120 x 100 x 40 mm
- IP rating: IP67
- Warranty: 5 years
- Temp. range: - 35 °C → +50 °C
- Weight: 1,82 kg

(Also available for 100-277 Volt AC 50/60 Hz)

**Light specifications: KELVIN(K)/CRI, LUMEN(L)**

	70 CRI	Ordering info	80 CRI	Ordering info	90 CRI	Ordering info	High CRI	Ordering info
<b>2700K</b>	NA	on request	2540L	on request	2120L	on request	1860L (97)	on request
<b>3000K</b>	NA	on request	2680L	on request	2200L	on request	2000L (97)	on request
<b>3500K</b>	NA	on request	2740L	on request	2280L	on request	2200L (93)	on request
<b>4000K</b>	NA	on request	2760L	on request	2360L*	<b>8095763</b>	2370L (93)	on request
<b>5000K</b>	3020L	on request	2840L	on request	2420L	on request	NA	on request

\* Standard model

Technical specifications are calculated on data available from component manufacturers. Lumen/CRI/Kelvin are calculated before optical transmission.

**LYNGSAA®**

**XTL 2e**



BACK VIEW



SIDE VIEW



BRACKET

The XTL 2 e is designed with the use of advanced 3D design tools and developed with state of the art LED and driver technology, which together with a rugged housing in marine grade anodized aluminum, ensures a long lasting product.

Equipped with high efficacy LEDs, enabling maximum light output with minimum heat generation, with an energy consumption reduction of 80%, compared with traditional halogen light sources, the LYNCSAA luminaires enable a very short return on investment.

The XTL 2 e can be implemented in all sorts of environments and industries, such as marine & offshore -, road -, agricultural -, harbor - and building sites, to mention a few.

**Technical Specifications**

- Wattage: 22W
- Voltage: 24 Volt DC
- Beam angle: 60°/100°
- Dimensions: 150 x 120 x 40 mm
- IP rating: IP67
- Warranty: 5 years
- Temp. range: - 35 °C → +50 °C
- Weight: 2,15 kg

(Also available for 100-277 Volt AC 50/60 Hz)

**Light specifications: KELVIN(K)/CRI, LUMEN(L)**

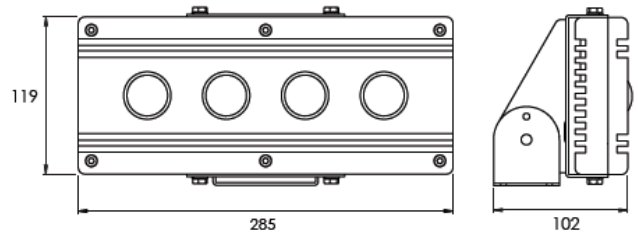
	70 CRI	Ordering info	80 CRI	Ordering info	90 CRI	Ordering info	High CRI	Ordering info
<b>2700K</b>	NA	on request	2540L	on request	2120L	on request	1860L (97)	on request
<b>3000K</b>	NA	on request	2680L	on request	2200L	on request	2000L (97)	on request
<b>3500K</b>	NA	on request	2740L	on request	2280L	on request	2200L (93)	on request
<b>4000K</b>	NA	on request	2760L	on request	2360L*	on request	2370L (93)	on request
<b>5000K</b>	3020L	on request	2840L	on request	2420L	on request	NA	on request

\* Standard model

Technical specifications are calculated on data available from component manufacturers. Lumen/CRI/Kelvin are calculated before optical transmission.

**LYNGSAA®**

**XTL 4e**



Floodlight XTL 4e is designed to be the work- and industrial luminaire of the future. The XTL 4e is designed with the use of advanced 3d design tools, and developed with state of the art LED and driver technology which, together with a rugged housing in marine grade anodized aluminum, ensures a long lasting product.

With an 80% decrease in energy consumption compared to halogen, and a virtually nonexistent maintenance, allows for a very short return on investment.

The XTL 4e can be implemented in all sorts of environments and industries, such as marine & offshore -, road -, agriculture -, architectural -, harbor – and building sites, to mention a few.

**Technical Specifications**

- Wattage: 44W
- Voltage: 24 Volt DC
- Beam angle: 60°/100°
- Dimensions: 285 x 120 x 40 mm
- IP rating: IP67
- Warranty: 5 years
- Temp. range: - 35 °C → +50 °C
- Weight: 3,35 kg
- Gland: M16 x 1.5, Nickel-plated brass
- Cabling: H07 Cable included, 2.5 m
- Optional: Other gland sizes and cabling can be included as per request

(Also available for 100-277 Volt AC 50/60 Hz)

**Light specifications: KELVIN(K)/CRI, LUMEN(L)**

	70 CRI	Ordering info	80 CRI	Ordering info	90 CRI	Ordering info	93 CRI	Ordering info
<b>2700K</b>	NA	on request	5100L	on request	4240L	on request	NA	on request
<b>3000K</b>	NA	on request	5340L	on request	4400L	on request	TBA	on request
<b>3500K</b>	NA	on request	5480L	on request	4560L	on request	TBA	on request
<b>4000K</b>	NA	on request	5520L*	on request	4720L	on request	TBA	on request
<b>5000K</b>	6060L	on request	5700L	on request	4840L	on request	NA	on request

\* Standard model

Technical specifications are calculated on data available from component manufacturers. Lumen/CRI/Kelvin are calculated before optical transmission.

**LYNGSAA®**

**XTL 6**



BACK VIEW



SIDE VIEW



BRACKET

The XTL 6 is designed with the use of advanced 3D design tools and developed with state of the art LED and driver technology, which together with a rugged housing in pickled AISI 316 stainless steel, marine grade anodized aluminium and tempered glass, ensures a long lasting product.

Equipped with high efficacy LEDs, enabling maximum light output with minimum heat generation, with an energy consumption reduction of 80%, compared with traditional halogen light sources, the LYNGSAA luminaires enable a very short return on investment.

The XTL 6 can be implemented in all sorts of environments and industries, such as marine & offshore-, road -, agricultural -, harbor - and building sites, to mention a few.

**Technical Specifications**

- Wattage: 95W
- Voltage: 100-240VAC, 50-60Hz
- Beam angle: 60°/120°
- Dimensions: 300 x 335 x 100 mm
- IP rating: IP67
- Warranty: 5 years
- Temp. range: - 35 °C → +50 °C
- Weight: 9,25 kg

**Light specifications: KELVIN(K)/CRI, LUMEN(L)**

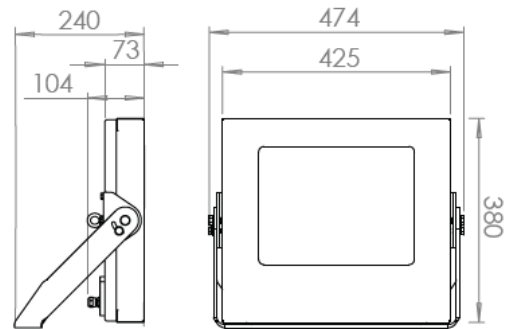
	70 CRI	Ordering info	80 CRI	Ordering info	90 CRI	Ordering info	93 CRI	Ordering info
<b>2700K</b>	NA	on request	13395L	on request	11165L	on request	9792L (97)	on request
<b>3000K</b>	NA	on request	14000L	on request	11580L	on request	10465L (97)	on request
<b>3500K</b>	NA	on request	14370L	on request	12000L	on request	11620L (93)	on request
<b>4000K</b>	NA	on request	14515L	on request	12420L	on request	12430L (93)	on request
<b>5000K</b>	18840L	on request	14950L	on request	12726L*	<b>8083843</b>	NA	on request

\* Standard model

Technical specifications are calculated on data available from component manufacturers. Lumen/CRI/Kelvin are calculated before optical transmission.

**LYNGSAA®**

**XTL 12**



Floodlight XTL 12 is designed to be the work- and industrial luminaire of the future. The XTL 12 is designed with the use of advanced 3d design tools, and developed with state of the art LED and driver technology which, together with a rugged housing in marine grade anodized aluminum, ensures a long lasting product.

With an 80% decrease in energy consumption compared to halogen, and a virtually nonexistent maintenance, allows for a very short return on investment.

The XTL 12 can be implemented in all sorts of environments and industries, such as marine & offshore -, road -, agriculture -, architectural -, harbor – and building sites, to mention a few.

**Technical Specifications**

- Wattage: 190W
- Voltage: 100-277VAC, 50-60Hz
- Beam angle: 60°/120°
- Dimensions: 380 x 474 x 110 mm
- IP rating: IP67
- Warranty: 5 years
- Temp. range: - 35 °C → +50 °C
- Weight: 18 kg
- Gland: M20 Gland Included
- Cabling: Cable NOT included
- Optional: Other gland sizes and cabling can be included as per request

**Light specifications: KELVIN(K)/CRI, LUMEN(L)**

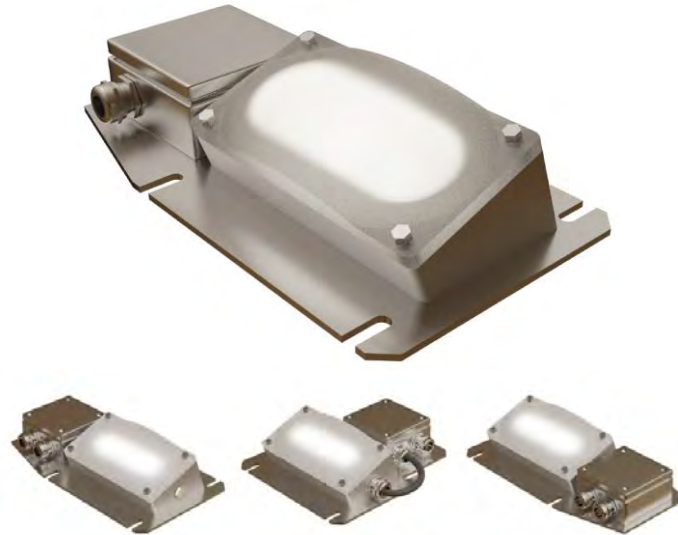
	70 CRI	Ordering info	80 CRI	Ordering info	90 CRI	Ordering info	93 CRI	Ordering info
<b>2700K</b>	NA	on request	26790L	on request	22330L	on request	19584L(97)	on request
<b>3000K</b>	NA	on request	28000L	on request	23160L	on request	20930L(97)	on request
<b>3500K</b>	NA	on request	28740L	on request	24000L	on request	23240L(93)	on request
<b>4000K</b>	NA	on request	29030L	on request	24840L	on request	24860L(93)	on request
<b>5000K</b>	37680L	on request	29900L	on request	25452L*	on request	NA	on request

\* Standard model

Technical specifications are calculated on data available from component manufacturers. Lumen/CRI/Kelvin are calculated before optical transmission.

**LYNGSAA®**

## Wind Turbine Door Light



The wind turbine door light is designed with the latest LED and driver technology, in-closed in a rugged marine grade anodized aluminum housing, with a UV stable acrylic front cover and fitted with a AISI 316 stainless steel terminal box.

The luminaire is equipped with high efficacy LEDs, for maximum light output and minimum heat generation, which make it possible to create a durable, stylish, minimalistic design, ensuring a long lasting product.

The luminaire is also available with color filters in selected colors, for colored light. Custom light color are available on request.

The high quality components ensures a long lasting lighting fixture that last for over 10 years of continuous use. The mechanical parts has a warranty of 10 years, the internal LED's and LED driver has a warranty of 7 years.

### Technical Specifications

Wattage:	22W
Voltage:	230VAC
Beam angle:	180°(Diffused)
Dimensions:	405 x 220 x 100mm
IP rating:	IP67
Temp. range:	- 35 °C → +50 °C
Weight:	8,5 kg
Gland:	M25 x 1,5
Cabling:	Cable not included
Optional:	Other gland sizes and cabling can be included as per request

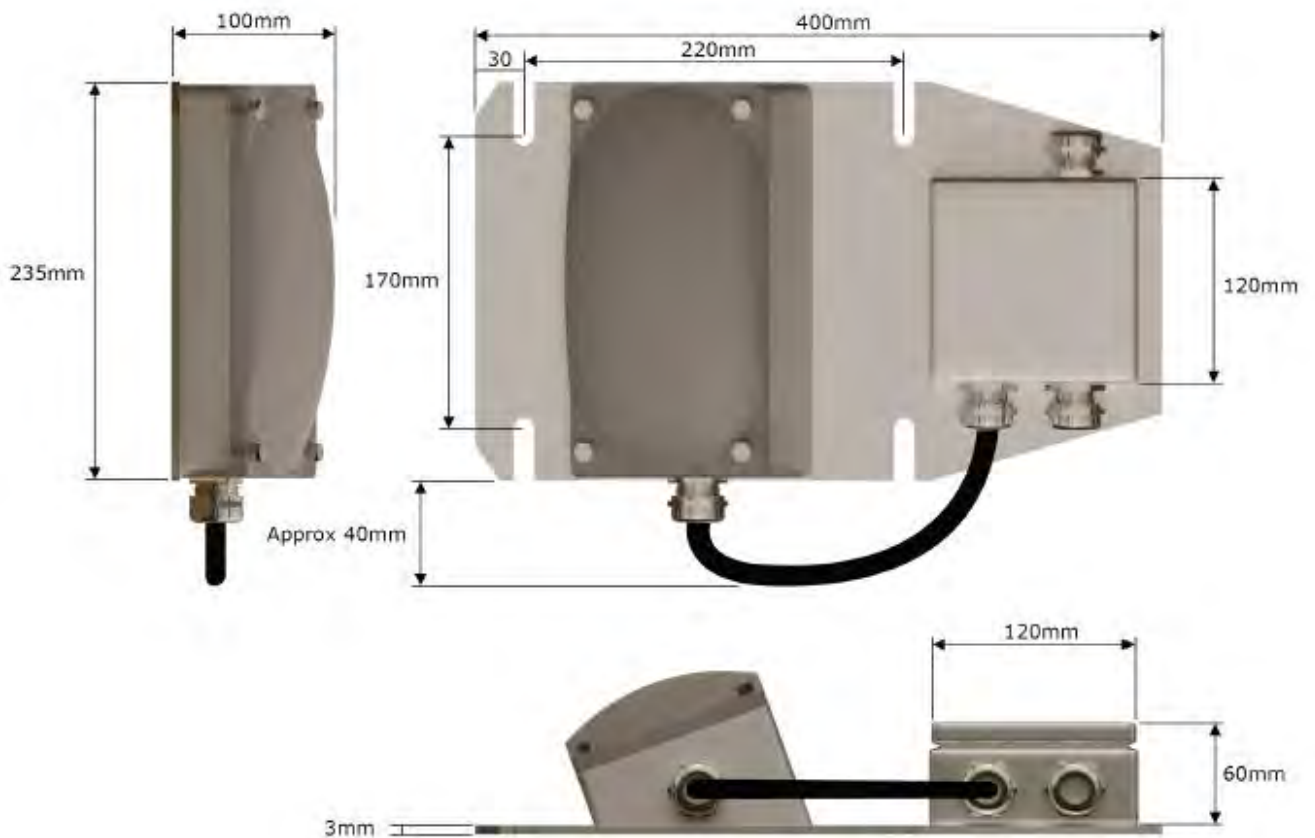
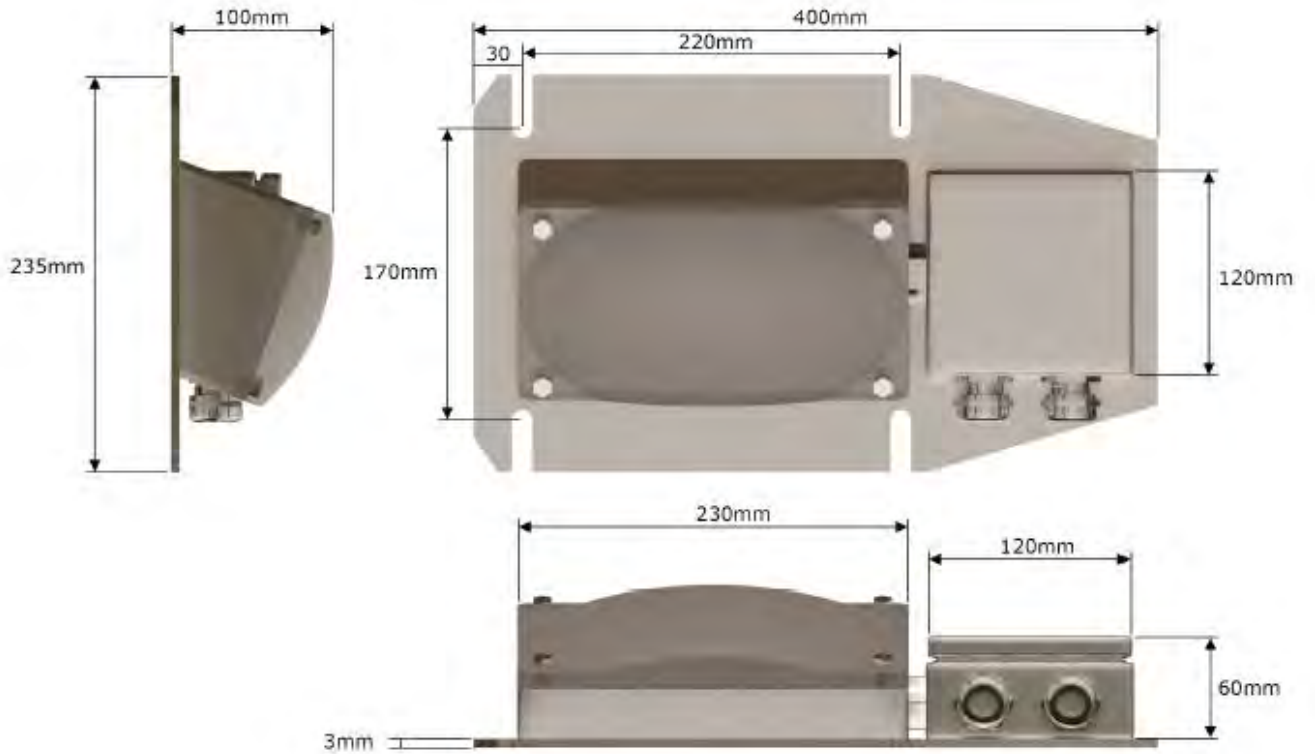
### Light specifications: KELVIN(K)/CRI, LUMEN(L)

	70 CRI	Ordering info	80 CRI	Ordering info	90 CRI	Ordering info
<b>3000K</b>	NA	on request	2680L	on request	2200L	on request
<b>4000K</b>	NA	on request	2760L	on request	2360L*	<b>8095691</b>
<b>5000K</b>	3020L	on request	2840L	on request	2420L	on request

\* Standard model

Technical specifications are calculated on data available from component manufacturers. Lumen/CRI/Kelvin are calculated before optical transmission.

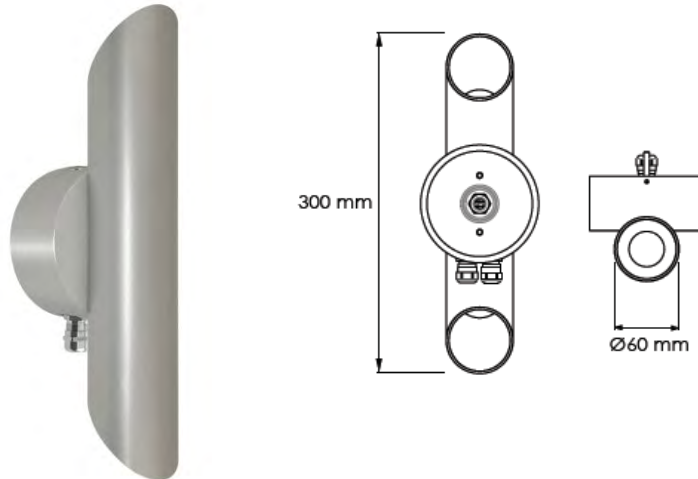




## Design Lamps

# LYNGSAA®

## Line



The LYNGSAA luminaire *Line* is a combination of modern, stylish design and the latest LED technology. The luminaire highlights itself with clear clean lines. The elegant design is combined with an extremely low consumption of power and with the option of dimming. The Line luminaire is waterproof (IP66/67). The luminaire is designed for indoors and outdoors application, even for harsh marine environments. The luminaire is made of anodized aluminum, making it possible to create a durable, minimalistic design, ensuring a long lasting product. Which serves as a uplight.

### Technical Specifications

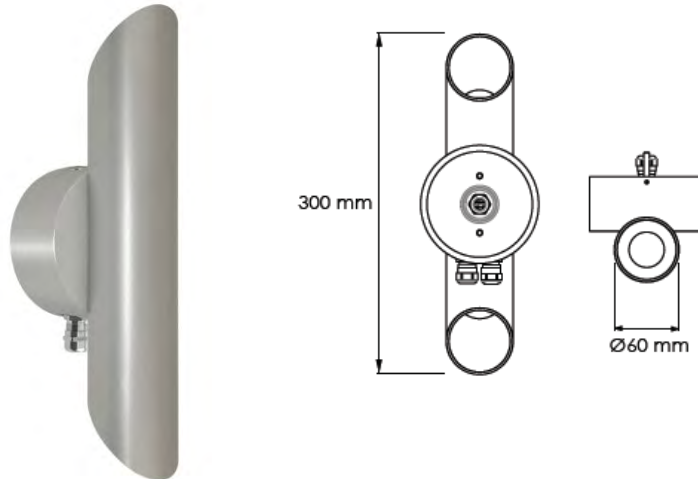
Wattage:	4.7W LED
Voltage:	100-240VAC
Beam angle:	45° (Diffused)
Dimensions:	Ø 60 x 300 mm
IP rating:	IP66/67
Warranty	3 years
Temp. range:	- 30 °C → +50 °C
Weight:	2 kg
Gland:	M16 x 1.5, Nickel-plated brass
Cabling:	Cable not included
Optional:	Other gland sizes and cabling can be included as per request

### Light specifications: KELVIN(K)/CRI, LUMEN(L)

	80 CRI	Ordering info	90 CRI	Ordering info
<b>2700K</b>	457L	on request	384L	on request
<b>3000K</b>	479L	on request	400L	on request
<b>4000K</b>	515L*	on request	NA	on request

\* Standard model

Technical specifications are calculated on data available from component manufacturers. Lumen/CRI/Kelvin are calculated before optical transmission.

**LYNGSAA®**
**Twin Line**


The LYNGSAA luminaire Twin Line is a combination of modern, stylish design and the latest LED technology. The luminaire highlights itself with clear clean lines. The elegant design is combined with an extremely low consumption of power and with the option of dimming.

The Twin Line luminaire is waterproof (IP66/67). The luminaire is designed for indoors and outdoors application, even for harsh marine environments.

The luminaire is made of anodized aluminum, making it possible to create a durable, minimalistic design, ensuring a long lasting product. Which serves both as uplight and downlight.

**Technical Specifications**

Wattage:	2 x 4.7W LED
Voltage:	100-240VAC
Beam angle:	45° (Diffused)
Dimensions:	Ø 60 x 300 mm
IP rating:	IP66/67
Warranty	3 years
Temp. range:	- 30 °C → +50 °C
Weight:	1,8 kg
Gland:	M16 x 1.5, Nickel-plated brass
Cabling:	Cable not included
Optional:	Other gland sizes and cabling can be included as per request

**Light specifications: KELVIN(K)/CRI, LUMEN(L)**

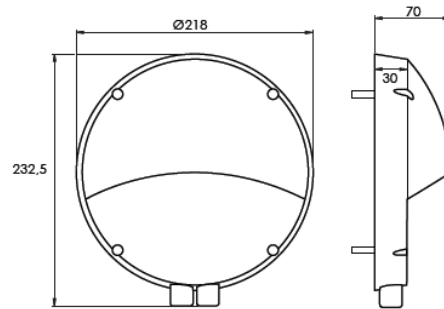
	80 CRI	Ordering info	90 CRI	Ordering info
<b>2700K</b>	914L	on request	768L	on request
<b>3000K</b>	958L	on request	800L	on request
<b>4000K</b>	1030L*	on request	NA	on request

\* Standard model

Technical specifications are calculated on data available from component manufacturers. Lumen/CRI/Kelvin are calculated before optical transmission.

**LYNGSAA®**

**Luna Arc**



The LYNGSAA luminaire Luna Arc is designed with the use of advanced 3d design tools, to be the Marine Design Luminaire of the future in extreme environments.

Designed with the latest LED and driver technology, inclosed in a rugged marine grade anodized aluminum housing. Equipped with high efficacy LEDs, enabling maximum light output with minimum heat generation, this make it possible to create a durable, stylish, minimalistic design, ensuring a long lasting product.

With an energy consumption reduction of 80%, compared with traditional halogen luminaires, the LYNGSAA luminaires have a very short return on investment.

The luminaire can be implemented in all sorts of environments and industries, such as marine & offshore -, road -, agriculture -, architectural -and building sites, to mention a few.

Accessories include magnetic base, build-in backup system and multiple optional base versions including angled versions. Custom mounting solutions are available.

**Technical Specifications**

- Wattage: 2 x 4.7W LED
- Voltage: 100-240VAC
- Beam angle: 120° (Diffused)
- Dimensions: Ø 218 x 70 mm
- IP rating: IP67
- Warranty: 3 years
- Temp. range: - 30 °C → +50 °C
- Weight: 2,2 kg
- Gland: M16 x 1.5, Nickel-plated brass
- Cabling: Cable not included
- Optional: Other gland sizes and cabling can be included as per request

Also available as 9-36 VDC

**Light specifications: KELVIN(K)/CRI, LUMEN(L)**

	80 CRI	Ordering info	90 CRI	Ordering info
<b>2700K</b>	914L	on request	768L	on request
<b>3000K</b>	958L	on request	800L	on request
<b>4000K</b>	1030L*	on request	NA	on request

\* Standard model

Technical specifications are calculated on data available from component manufacturers. Lumen/CRI/Kelvin are calculated before optical transmission.

# Flashlight





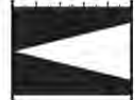


## Peli 2410 Stealthlite, Zone 0



Same features as the StealthLite 2400 Flashlight, but with the LED module that produces a true, bright collimated LED beam. The 2410 is corrosion proof, resistant to extreme temperatures, and submersible. It is powered by 4 AA alkaline cells (included).

### Technical Specifications

**Configurations:** 2410 - Standard  
**Dimensions:** Length: 7.00"  
**Materials:** Body: EXL  
 O-Ring: Ethylene Propylene  
 Lens: Polycarbonate (PC)  
 Shroud: ABS  
 Contact Spring Retainer: Stainless Steel / Phosphore Bronze  
**Colors:** Black or yellow  
**Power:** Battery Size: AA Battery  
 Type: Alkaline  
 Battery Quantity: 4  
 Batteries Included: yes  
 Volts: 6.0v  
**Weight:** Weight With Batteries:7.30 oz  
 Weight Without Batteries:3.70 oz  
 Packaged Weight:8.40 oz  
**Lamp type:** LED  
**Switch:** Switch Type: One-handed Safety Switch  
 Light Modes: On / Off  
**Certifications** Class I, Division 1  
 Class II, Division 1  
 Class III, Division 1  
 IECEx ia  
**Other:** Submersible: yes  
 Minimum Pack: 6  
 Military: yes  
 Package Code: C

FL1 STANDARD	HIGH
	126 LUMENS
	7h 30mins
	161m
	6500cd
	IPX7

### Ordering info

Description	Part Number
Peli 2410 Stealthlite, Yellow, Zone 0	8060815







## Peli L1 Zone 0 LED Torch



Same features as L1 1930 LED with static-dissipation materials body. Being certified to ATEX safe for use in high-risk hazardous locations, Zone 0 (Category 1) areas, L1 1930Z0 LED is ideal for professionals who work in chemical, pharmaceutical, power, oil and gas, and fire rescue industries.

### Technical Specifications

ANSI/NEMA FL 1	IPX4 = Water Resistant
Standard Definition:	IPX7 = Water Proof (Protection against temporary submersion) IPX8 = Submersible (Protection against continuous submersion)
Power:	Battery Size: AA Battery Type: Alkaline Battery Quantity: 4 Batteries Included: yes Volts: 6.0v
Weight:	0.25 kg.
Light spec:	LED
Switch:	Switch Type: One-handed Safety Switch Light Modes: On / Off
Certifications:	CE Ex II 1 G EEx ia IIC T4 / EPSILON 07ATEX 2280X

FL1 STANDARD	HIGH
	12 LUMENS
	4h 15mins
	17m
	70cd

### Ordering info

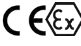
Description	Part Number
Peli L1 Zone 0 LED Torch	8002503



## Pelican Mitylight 1900 Zone 1



The Peli MityLite 1900Z1 is a powerful, compact torch which is ATEX certified safe for use in hazardous Zone 1 (Category 2) locations. This torch is perfect for professionals who work in areas w/ high risk of explosion such as chemical, pharmaceutical, power, oil and gas, and fire rescue. It is powered by 2 AAA alkaline cells and submersible.

Approvals:  II 2G Ex e ib IIB T4, II 2D Ex ibD 21 IP67 T100°C  
Certificate: ITS09ATEX26184X, IECEx TSA 06.0021X

### Ordering info

Description	Part Number
Peli Mitylite Comp Lamp 1900 Atex Zone 1 1900-030-111E	8002690







## Peli headsup light 2690 Zone 0



Regardless of the season, Peli's 2690Z0 HeadsUp Lite™ will not leave you in the dark. W/ 60 lumens of LED light, 10 hours of battery burn time and weighing in at 117 grams (4.1 ounces), it is brighter, more efficient, compact and lighter than other headlamps in its class.

The rotary bezel switch is easy to operate, even when wearing bulky gloves. The 2690Z0 is made of impact and chemical resistant ABS and it is water resistant for all- weather use. It is delivered w/ an adjustable and comfortable cloth strap, as well as a heavy duty rubber strap that will not slip off your helmet.

Being certified to ATEX safe for use in high-risk hazardous locations, Zone 0 (Category 1) areas, the penlight 2690Z0 HeadsUp Lite is ideal for professionals who work in chemical, pharmaceutical, power, oil and gas, and fire rescue industries. Get the 2690Z0 HeadsUp Lite™ from Peli.

Approvals:  - I M1 Ex ia I Ma, II 1 G Ex ia IIC T4 Ga, Ex ia IIIC T65°C Da IP65  
 IECEX TRC 11.0010X Ex ia I Ma, Ex ia IIC T4 Ga, Ex ia IIIC T65°C

Certificate: TRL 08ATEX11184X

### Ordering info

Description	Part Number
Peli Headlight 2690 LED With Led With Tiltfitting, ATEX Zone 0	8004914

## CEAG Torch Stabex HF 2 Cell



### Features:

- Single-handed operation even with work gloves
- High degree of protection IP 65/66/68
- Scratchproof mineral glass

### The lights for all kinds of application

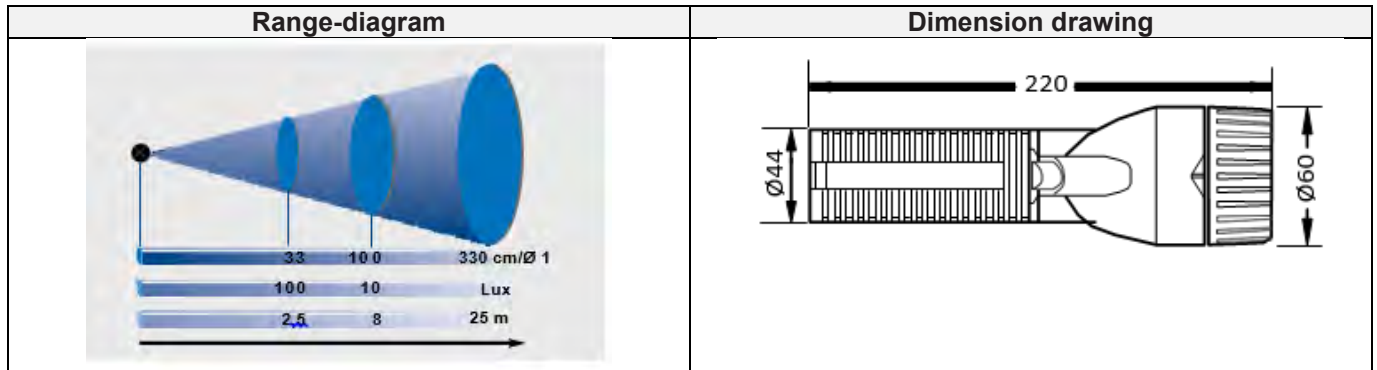
Compact and powerful, these torches are particularly suitable for use during rescue and emergency operations, as well as for control and inspection patrols. Depending on the type, it has been approved for all explosive gas atmospheres and explosive dust atmospheres in Zones 21 and 22 and provides optimum safety, even in unpredictable situations.

### Always ready to hand

The larger Stabex HF series features a wrist strap and can be worn and operated comfortably and securely with only one hand- even while wearing working gloves. This series is available with both halogen lamp and LED technology.

### Technical Specifications

EC-Type Examination Certificate:	BVS 11 ATEX E 174
IECEX Certificate of Conformity:	IECEX BVS 14.0072
Marking accd. to 2014/34/EU:	D II 2 G Ex e ib IIC T4 Gb; D II 2 D Ex tb IIIC T57 °C Db
Marking accd. to IECEx:	Ex e ib IIC T4 / Ex tb A21 IP65 T57 °C Db
Permissible ambient temperatura:	-20 °C up to +40 °C; specified data: 0 °C up to +30 °C (battery)
Battery:	2 batteries IEC 60086 LR 20
Rated operating duration:	12 h
Switch:	ON – OFF (focusable)
Protection class:	III
Lamp / Illuminant:	2.8 V/0.5 A halogene lamp
Rated luminous flux:	17 lm
Lamp cap:	PX 13.5s
Dimesions (L x W x H):	220 x Ø 60 mm
Diameter:	60 mm
Enclosure colour:	Black
Enclosure material:	Polyamide
Weight:	approx. 0.25 kg (without battery)
Degree of protection accd. to EN 60529:	IP65
Scope of delivery:	with incandescent lamp, without battery



**Ordering info**

Description	Part Number
Stabex HF with halogen-incandescent lamp, without battery	8000509