

COLSON Ball Valve

Ordering Information

Ball Valve, 1/2 Inch BSPP F, SS316, 250 Bar, Panel Mount, Locking Device - **8004345**

Ball Valve, 3/4 Inch BSPP F, SS316, 414 Bar, Panel Mount, Locking Device - **8080748**

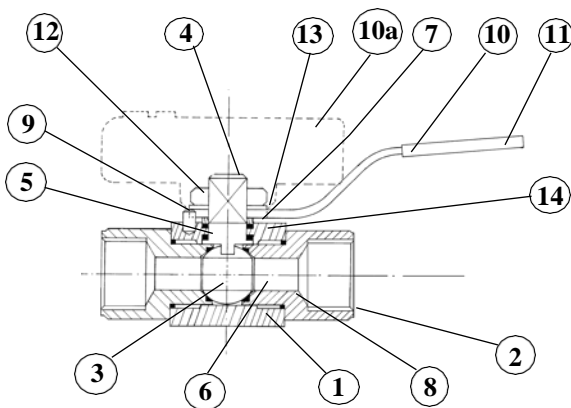
Ball Valve 3/8 Inch, Panel Mount, Locking Device - **8004231**

Ball Valve 1 Inch, 316SS 6000 PSI Rated for Actuator Use – **8004150**

Ball Valve 1 Inch Union End 316SS Lockable 6000 PSI Rated - **8004232**

DESIGN FEATURES

- * **Robust HIGH pressure design**
- * **Internally loaded blow-out proof stem**
- * **Floating ball for positive shut-off**
- * **LOW operating torque**
- * **Smooth 1/4 turn action**
- * **Flexible 3 piece design**
- * **316 ss to NACE specification**
- * **Wide range of end connections**
- * **Replaceable seats & seals**
- * **Ease of maintenance**
- * **Full material traceability**
- * **Choice of lever or pointer handles**
- * **Panel mounting option**
- * **Can be easily actuated**
- * **Locking kit available**



ITEM	COMPONENT	MATERIAL
1	BODY	316 S 11 *
2	END CONNECTORS	316 S 11 *
3	BALL	316 S 11 *
4	STEM	316 S 11 *
5	STEM SEAL	RTFE
6	SEATS	PTFE / PVDF
7	TOP SEAL	RTFE
8	BODY SEAL	PTFE
9	PIN	STAINLESS STEEL
10	LEVER HANDLE	STAINLESS STEEL
10	POINTER HANDLE	MAZAK 3
11	HANDLE SLEEVE	PVC
12	NUT	A4 ss
13	WASHER	A4 ss
14	SPACER	316 SS