

TOSACA

Safety and Relief valve Model 1216



Description:

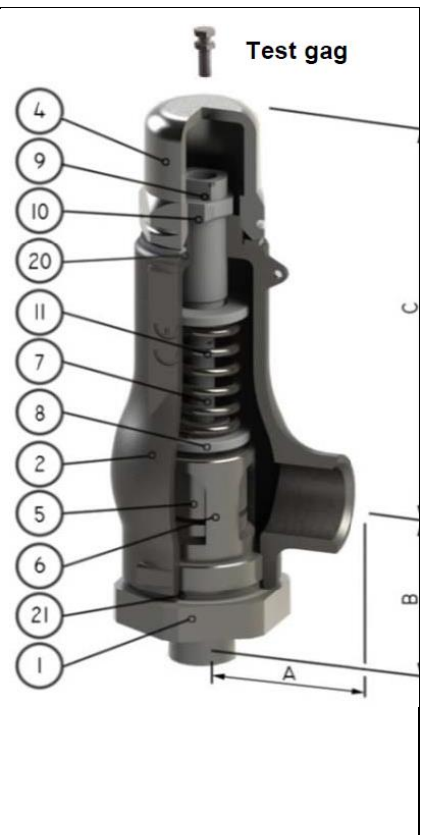
| | |
|------------------------|-----------------------------------|
| Type | Safety and Relief valve |
| Connections | Threaded BSP / NPT PN-40 |
| Material | Stainless steel 316 L and Duplex |
| Temperature range | -30 to +350°C |
| Cryogenic service | until -196°C |
| Applications | Steam, gases, vapours and liquids |
| Min. Set pressure | 0,2 barg |
| Overpressure | 10% |
| Blowdown | Gases 10%, liquids 20% |
| Tolerance Set pressure | ± 3% |

Requirements:

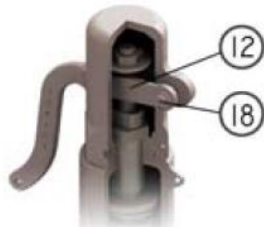
| | |
|-------------|--|
| Calculation | EN-4126-1 / 7 |
| Design | EN-12516-1, EN-4126-1 / 7 DIN 259 and ANSI B2.1 |
| Materials | EN |
| Inspection | EN-4126-1 / 7 |

Construction and materials:

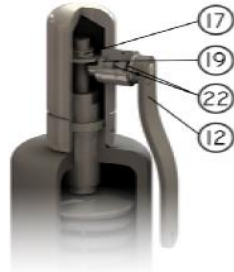
| Item | Description | Material | | |
|------|--------------------|--------------|---------------|------------------|
| | | Standard | Cryogenic | Duplex |
| 1 | Nozzle | A351 CF-3M | A351 CF-3M | DUPLEX 1.4462 |
| 2 | Body | A351 CF-3M | A351 CF-3M | DUPLEX 1.4462 |
| 4 | Cap | A351 CF-8 | A351 CF-8 | DUPLEX 1.4462 |
| 5 * | Disc | AISI-316L | AISI-316L | DUPLEX 1.4462 |
| 6 | Guide | A351 CF-3M | A351 CF-3M | DUPLEX 1.4462 |
| 7 | Push Rod | AISI-316L | AISI-316L | DUPLEX 1.4462 |
| 8 | Spring Button | AISI-303 | AISI-303 | DUPLEX 1.4462 |
| 9 | Ajusting Screw | AISI-303 | AISI-303 | DUPLEX 1.4462 |
| 10 | Tensor Nut | AISI-303 | AISI-303 | DUPLEX 1.4462 |
| 11 * | Spring | AISI-302 | INCONEL X 750 | INCONEL X 750 |
| 12 | Lever | A351 CF-8 | A351 CF-8 | A351 CF-8 +ECTFE |
| 17 | Release nut | AISI-304 | AISI-304 | DUPLEX 1.4462 |
| 18 * | Lever axis | AISI-303 | AISI-303 | DUPLEX 1.4462 |
| 19 | Packing lever axis | AISI-303 | AISI-303 | DUPLEX 1.4462 |
| 20 * | Gasket cap | PTFE | PTFE | PTFE |
| 21 * | Gasket | PTFE | PTFE | PTFE |
| 22 * | Gasket pack. lever | Viton | Viton | Viton |
| 28 * | Soft seat | Viton / PTFE | Metal | Metal |



*Recommended spare parts

Options
Lifting device


*Duplex Model:
A351 CF-8 +ECTFE

Sealed packing lever

Soft seat

Stainless steel dimensions

| | Orifice (mm) | Area (mm ²) | A (mm) | B (mm) | C (mm) | Weight (kg) |
|-----------------|-----------------|----------------------------|-----------|-----------|-----------|----------------|
| 1/2" x 3/4" | 13 | 133 | 45 | 57 | 155 | 2,2 |
| 1/2" x 1" | 13 | 133 | 45 | 57 | 155 | 2,2 |
| 3/4" x 1" | 14 | 154 | 45 | 57 | 155 | 2,2 |
| 1" x 1" | 16 | 201 | 45 | 60 | 155 | 2,2 |
| 1" x 1 1/4" | 16 | 201 | 45 | 61 | 155 | 2,3 |
| 1" x 2" | 22 | 380 | 62 | 87 | 234 | 4,5 |
| 1 1/4" x 1 1/4" | 18 | 254 | 45 | 62 | 155 | 2,4 |
| 1 1/2" x 2" | 28 | 616 | 62 | 89 | 234 | 4,6 |
| 2" x 2" | 32 | 804 | 62 | 93 | 234 | 5,1 |

Duplex dimensions

| | Orifice (mm) | Area (mm ²) | A (mm) | B (mm) | C (mm) | Weight (kg) |
|-------------|-----------------|----------------------------|-----------|-----------|-----------|----------------|
| 1/2" x 3/4" | 13 | 133 | 45 | 57 | 155 | 2,2 |
| 1/2" x 1" | 13 | 133 | 45 | 57 | 155 | 2,2 |
| 3/4" x 1" | 14 | 154 | 45 | 57 | 155 | 2,2 |
| 1" x 1" | 16 | 201 | 45 | 60 | 155 | 2,2 |

Ordering Information

| Part number | Description |
|-------------|---|
| 8103343 | Safety Valve Type 1216 SS A316 1" x 1" PN-40 DIN 259 BSP-M/BSP-F, Orifice 16/201,0 mm ² Set pressure 16 Barg |